



## IDL Series Filter Housings

- Single Cartridge Housings Accept Double Open End, RF and 1001 Style Filters
- All Stainless Steel Materials of Construction
- Accepts 1 in (2.54 cm), 4 in (10.2 cm), 10 in (25.4 cm), 20 in (50.8 cm), and 30 in (76.2 cm) Lengths
- V-Band Clamp Features a Quick Opening T-Handle
- Variety of Inlet/Outlet Sizes and O-ring Seal Options Offered
- Optional Mounting Brackets Available

### Housing Specifications

#### Design Ratings<sup>1</sup>:

V-band Clamp Design: 260 psig (17.9 bar) @ 100°F (40°C)  
 200 psig (13.8 bar) @ 300°F (150°C)  
 114 psig (7.9 bar) @ 347°F (175°C)<sup>2</sup>

*NOTE: Above ratings apply to housing only. Cartridge and housing O-ring selection may impose different and narrower limitations.*

#### Materials of Construction:

Head: 316L Stainless Steel  
 Bowl: 316 Stainless Steel

#### Connections:

Inlet/Outlet: 3/4" NPT, 1" NPT, 3/4" BSPT, 1" BSPT,  
 1" BSPP  
 Flange Option: 150 lb. ANSI raised face  
 flanges or BS4504 flanges available  
 for 1" IDL Housings  
 Vent/Drain: 1/4" NPT, BSPT or BSPP  
 (refer to ordering information for  
 complete details)

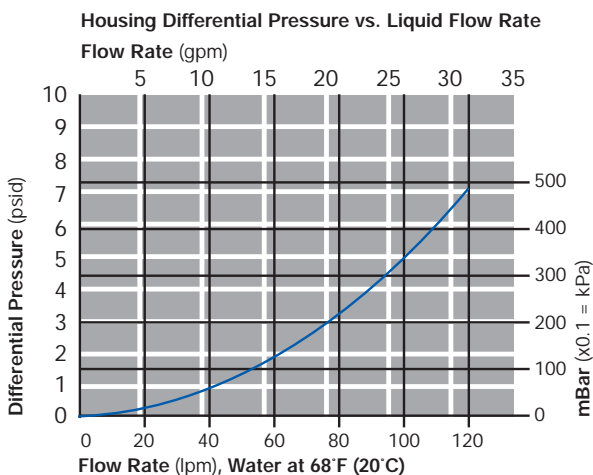
**Shell O-rings:** FEP Encapsulated Fluorocarbon  
 Elastomer, Silicone Elastomer,  
 Fluorocarbon Elastomer, Nitrile,  
 Ethylene Propylene, Ethylene  
 Propylene for Steam Service



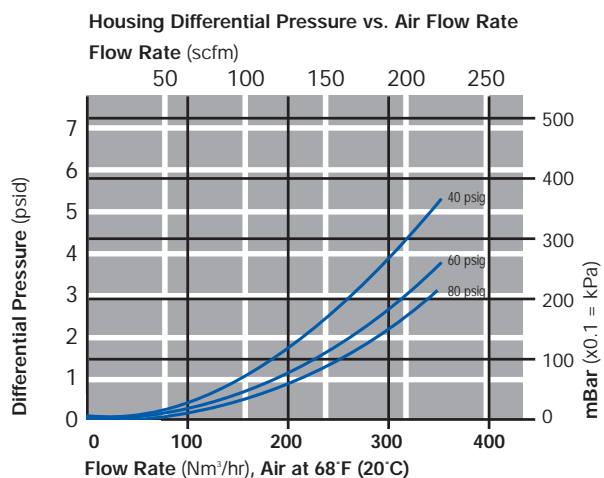
**Bracket Option:** Stainless steel brackets are available as a standard option.

<sup>1</sup> - Fully vacuum rated.

<sup>2</sup> - For continuous steam service.



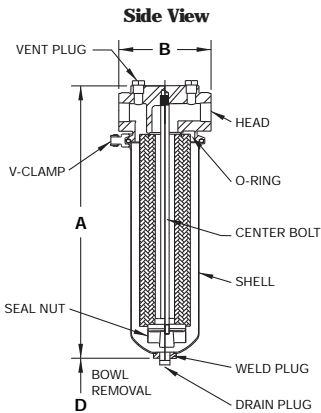
For liquids other than water, multiply differential pressure by specific gravity.



## Dimensional Data

Model	Flow <sup>3</sup> Rate (gpm/lpm)	Dimensions				Volume Gal/L	Weight Empty	
		A in/mm	B in/mm	C in/mm	D in/mm		Threaded Nozzle lbs/Kg	Flanged Nozzle lbs/Kg
IDLD01	1/3.78	5.81/147.57	4.81/122	9.81/250	3.75/95.25	0.41/.15	4.5/2.0	————
IDLD04	4/15	8/203	4.81/122	9.81/250	6/153	0.11/0.4	5.1/2.3	11.9/5.4
IDL1	10/38	14.25/362	4.81/122	9.81/250	12.63/321	0.34/1.3	5.7/2.6	12.5/5.7
IDLD2	20/76	24.25/516	4.81/122	9.81/250	22.5/572	0.74/2.8	6.7/3	13.5/6.1
IDLD3	30/114	34.25/870	4.81/122	9.81/250	32.38/822	1.14/4.3	7.7/3.5	14.5/6.6
IDL101	1/3.78	5.81/147.57	4.81/122	9.81/250	3.75/95.25	0.41/.15	4.5/2.0	————
IDL104	4/15	8/203	4.81/122	9.81/250	6/153	0.11/0.4	5.1/2.3	11.9/5.4
IDL11	10/38	14.25/362	4.81/122	9.81/250	12.63/321	0.34/1.3	5.7/2.6	12.5/5.7
IDL12	20/76	24.25/516	4.81/122	9.81/250	22.5/572	0.74/2.8	6.7/3	13.5/6.1
IDL13	30/114	34.25/870	4.81/122	9.81/250	32.38/822	1.14/4.3	7.7/3.5	14.5/6.6

<sup>3</sup> - Dependent on inlet/outlet selection.



### Part Numbers/Ordering Information

IDL ■ ● G ◆ ▼ ■ (e.g., IDL D 04 G N12 C2 H13)

Code	Cartridge Style
D	DOE/RF V-band
1	1001 V-band

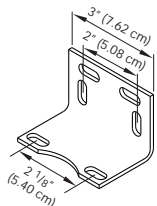
Code	Bowl Length
01	1" (available in N16 and B16 option only)
04	4"
1	10"
2	20"
3	30"

Code	Inlet/Outlet And Vent/Drain Size
N12	3/4" NPT/1/4" NPT
N16	1" NPT/1/4" NPT
B12	3/4" BSPT/1/4" BSPT
B16	1" BSPT/1/4" BSPT
B17	1" ANSI Flange/1/4" BSPT
N17	1" ANSI Flange/1/4" NPT
P17	1" ANSI Flange/1/4" BSPP
P19	1" BSPP/1/4" BSPP
B35	1" BS4504 Flange/1/4" BSPT
P35	1" BS4504 Flange/1/4" BSPP

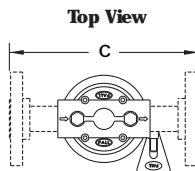
Code	Housing Options
Blank	Blank
C2	Passivated
C9	Cleaned For Oxygen Service

Code	Seal Materials
H	Fluorocarbon Elastomer
H1	FEP Encapsulated Fluorocarbon Elastomer
H4	Silicone
H13	Nitrile
J	Ethylene Propylene
J7	Ethylene Propylene for Continuous Steam Service

### Optional Mounting Bracket



Part #T10567035



**Pall Corporation**

25 Harbor Park Drive  
Port Washington, NY 11050  
+1 516 484 3600 telephone  
+1 888 873 7255 toll free US

Portsmouth - UK  
+44 (0)23 9230 3303 telephone  
+44 (0)23 9230 2507 fax  
BioPharmUK@europe.pall.com e-mail  
processuk@pall.com e-mail

Beijing - China  
+86 10 87696388 telephone  
+86 10 87691787 fax  
pchnhsjinfo@pall.com e-mail

Filtration. Separation. Solution.<sup>SM</sup>

### Visit us on the Web at [www.pall.com](http://www.pall.com)

Pall Corporation has offices and plants throughout the world. For Pall representatives in your area, please go to [www.pall.com/contact](http://www.pall.com/contact).

Please contact Pall Corporation for product applicability to specific National legislation and/or Regional Regulatory requirements for water and food contact use.

Because of technological developments related to the products, systems, and/or services described herein, the data and procedures are subject to change without notice. Please consult your Pall representative or visit [www.pall.com](http://www.pall.com) to verify that this information remains valid.

© Copyright 2009, Pall Corporation. Pall, and are trademarks of Pall Corporation. ® Indicates a Pall trademark registered in the USA. **Filtration. Separation. Solution.<sup>SM</sup>** is a service mark of Pall Corporation.